



Mortise Lockcases

ASSA ABLOY

The global leader in
door opening solutions

ASSA ABLOY Mortise Lockcase

Features & Benefits

ASSA ABLOY

Mortise Lockcase AA5100 Series

Key features:

- Made of SS 304
- 200,000 cycles tested
- 8 different functions
- Fire rated
- Non-handed - latch reversible
- Compliant to BS EN 12209

Benefits:

- High corrosion resistance
- High durability
- Versatile usage
- Can be used for fire doors



Technical details:

- Center to center - 72mm
- Backset - 55mm or 60mm
- Door thickness required - 35mm to 50mm with the standard screw fixing pack provided
- Fits standard cam euro profile cylinder
- Single throw projection deadbolt - 20mm
- Suitable for hinged timber, metal and fire doors
- All mortise lockcases contain suitable strike plates and screws
- Optional rebate kit available

The range of ASSA ABLOY mortise lockcases consists of various functions to meet the most enhanced security and locking requirements.



Mortise Lockcase - AA5100 Series

ASSA ABLOY

Mortise Lockcase AA5100 Series

8 Locking functions:

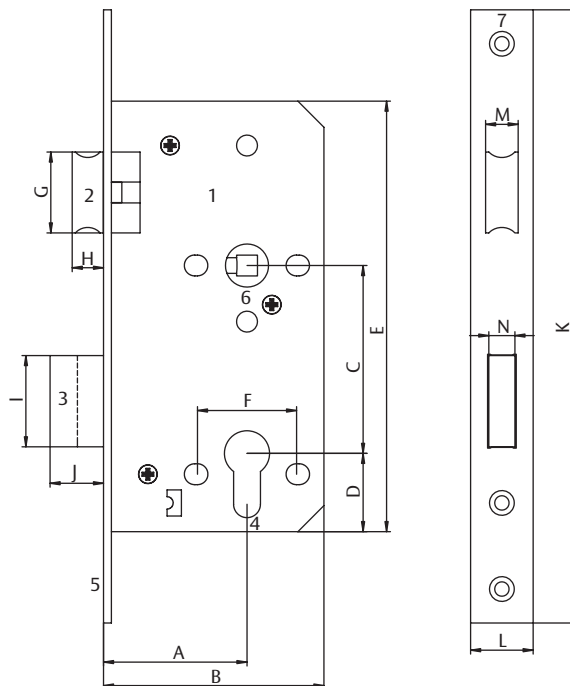
- Passage Latch
- Entrance Lockcase
- Deadlock Lockcase
- Classroom Lockcase
- Privacy Lockcase
- Nightlatch Lockcase
- Roller bolt entrance Lockcase
- Panic exit entrance Lockcase

Various locking functions for multiple applications

Dimensions:

A	B	C	D	E	F	G
60mm	89mm	72mm	30mm	165mm	38mm	31mm
H	I	J	K	L	M	N
12.5mm	35mm	20mm	235mm	24mm	12mm	9mm

Limiting dimensions:



Parts:

1. Lock case
2. Latch bolt
3. Deadbolt
4. Euro cylinder hole
5. Face plate
6. Lever follower
7. Counter sunk holes

Mortise Lockcase - AA5100 Series

ASSA ABLOY

Mortise Lockcase
AA5100 Series

Passage Latch

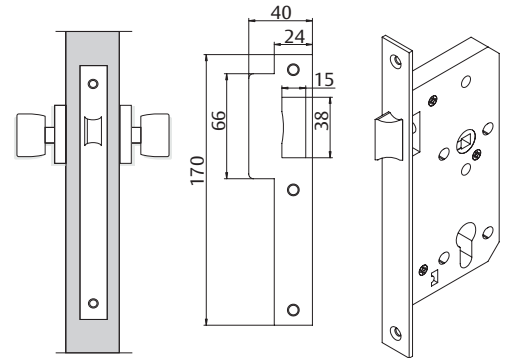
Model no.: AA5101

Description: AA5101 ASSA ABLOY Euro mortise lockcase
Door thickness: 35mm to 50mm

Finish: SSS - Satin Stainless Steel

Outside: Opened by handle at all times

Inside: Opened by handle at all times



Mortise Lockcase
AA5100 Series

Entrance Lockcase

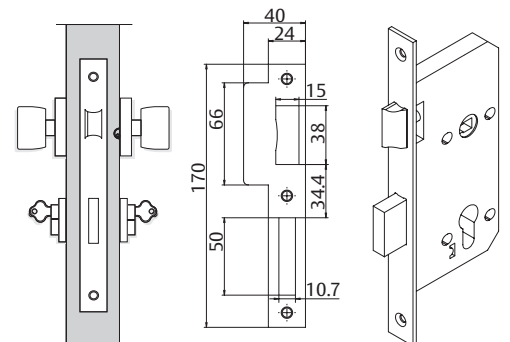
Model no.: AA5103

Description: AA5103 ASSA ABLOY Euro mortise lockcase
Door thickness: 35mm to 50mm

Finish: SSS - Satin Stainless Steel

Outside: Opened by handle when unlocked.
Lever withdraws latchbolt. Key locks or unlocks
bolt, key withdraws latchbolt.

Inside: Opened by handle when unlocked. Lever handle at
one side withdraws latchbolt. Key or turn locks to unlocks
the bolt, key or turn locks to withdraw latchbolt.



Mortise Lockcase
AA5100 Series

Deadlock Lockcase

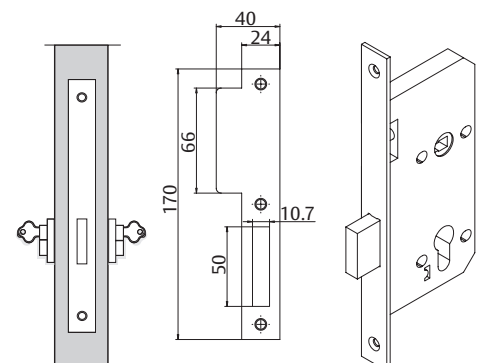
Model no.: AA5104

Description: AA5104 ASSA ABLOY Euro mortise lockcase
Door thickness: 35mm to 50mm

Finish: SSS - Satin Stainless Steel

Outside: Bolt is locked or unlocked by key or turn

Inside: Bolt is locked or unlocked by key or turn



Mortise Lockcase - AA5100 Series

ASSA ABLOY

Mortise Lockcase
AA5100 Series

Classroom Lockcase

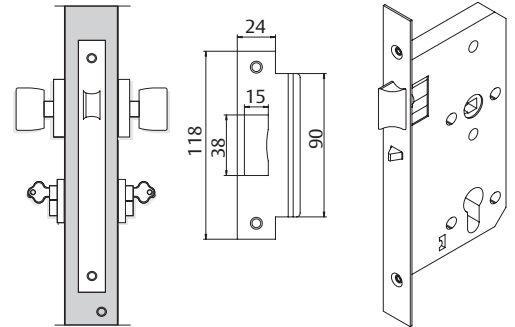
Model no.: AA5105

Description: AA5105 ASSA ABLOY Euro mortise lockcase
Door thickness: 35mm to 50mm

Finish: SSS - Satin Stainless Steel

Outside: Opened by handle except when handle is made inoperative by key from outside. Key locks or unlocks outside handle.

Inside: Opened by handle at all times.



Mortise Lock
AA5100 Series

Privacy Lockcase

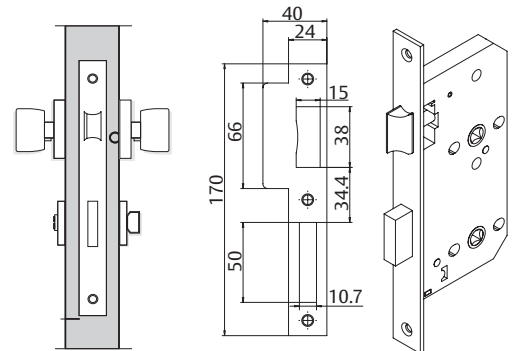
Model no.: AA5109

Description: AA5109 ASSA ABLOY Euro mortise lockcase
Door thickness: 35mm to 50mm

Finish: SSS - Satin Stainless Steel

Outside: Opened by handle except when bolt is thrown by turn knob from inside. Bolt may be unlocked from outside by coin or screwdriver or by operating the slotted emergency button.

Inside: Opened by handle except when bolt is thrown by inside turn knob.



Mortise Lock
AA5100 Series

Nightlatch Lockcase

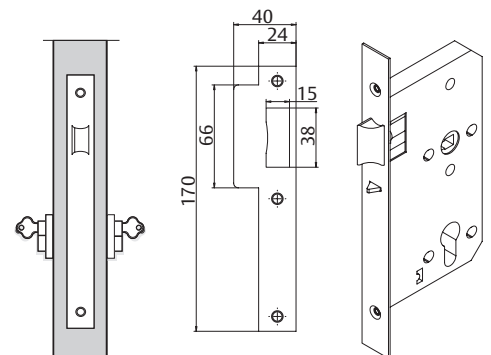
Model no.: AA5106

Description: AA5106 ASSA ABLOY Euro mortise lockcase
Door thickness: 35mm to 50mm

Finish: SSS - Satin Stainless Steel

Outside: Latch is withdrawn by key or turn.

Inside: Latch is withdrawn by key in turn.



Mortise Lockcase - AA5100 Series

ASSA ABLOY

Mortise Lock
AA5100 Series

Roller Bolt Entrance
Lockcase

Model no.: AA510R

Description: AA510R ASSA ABLOY Euro mortise lockcase
Door thickness: 35mm to 50mm

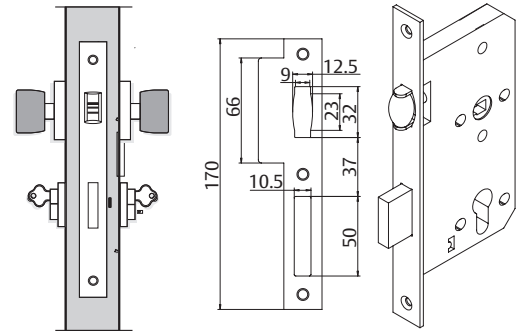
Finish: SSS - Satin Stainless Steel

Outside: Bolt is locked or unlocked by key or turn.

Inside: Bolt is locked or unlocked by key or turn.

*Roller bolt can always open the door from inside and outside when door is unlocked, roller bolt is not operated by handle.

Note: Optional double door strike can be provided



Mortise Lock
AA5100 Series

Panic Exit Entrance
Lockcase

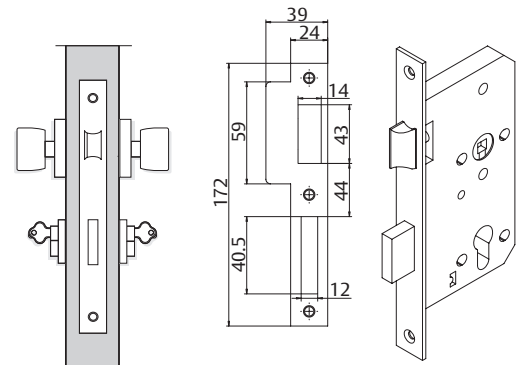
Model no.: AA510P

Description: AA510P ASSA ABLOY Euro mortise lockcase
Door thickness: 35mm to 50mm

Finish: SSS - Satin Stainless Steel

Outside: Outside handle is made inoperative by key or turn from inside or key from outside. Key locks or unlocks the outside handle only.

Inside: Opened by handle at all times.



Accessories
Toilet Indicator

R53-4/38

Model no.: R53-4/38

Description: ASSA ABLOY Toilet Indicator

Finish: SSS - Satin Stainless Steel

Note: To be used with Privacy mortise lockcase AA5109



Mortise Lockcase - AA5100 Series

ASSA ABLOY

Mortise Lock AA5100 Series

Small Body Mortise Lockcase - Deadbolt

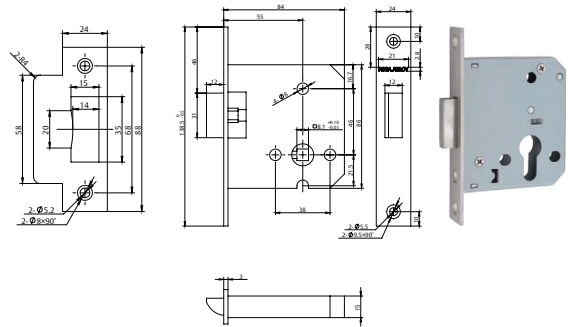
Model no.: AA5104 55-F

Description: AA5104 55-F ASSA ABLOY Small euro mortise lockcase, 55mm backset - deadbolt SSS
Door thickness: 35mm to 50mm

Finish: SSS - Satin Stainless Steel

Outside: Bolt is locked or unlocked by key or turn

Inside: Bolt is locked or unlocked by key or turn



Mortise Lock AA5100 Series

Small Body Mortise Lockcase - Latch

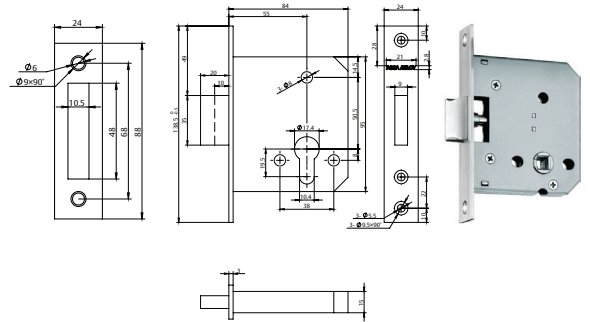
Model no.: AA5101 55-F

Description: AA5101 55-F ASSA ABLOY Small euro mortise lockcase, 55mm backset - latch SSS
Door thickness: 35mm to 50mm

Finish: SSS - Satin Stainless Steel

Outside: Opened by handle at all times

Inside: Opened by handle at all times



Regular Mortise AA5100 Series

Code example

AA5103 6072

CTC: 72mm

Backset: 60mm

Function Code

- Passage Latch - 1
- Entrance Lockcase - 3
- Deadlock Lockcase - 4
- Classroom Lockcase - 5
- Privacy Lockcase - 9
- Nightlatch Lockcase - 6
- Roller bolt entrance Lockcase - R
- Panic exit entrance Lockcase - P

For all models, add -F to the code for fire-rated lockcases. Example: AA5103 6072-F

ASSA ABLOY Narrow Profile Mortise Lockcase Features & Benefits

Narrow Profile Mortise Lockcase AA5100 Series

Key features:

- Made of SS 304
- 4 different functions
- 4 Backset options
- Non-handed - latch reversible
- Compliant to BS EN 12209

Technical details:

- Center to center - 85mm
- Backset - 20mm, 25mm, 30mm, 35mm
- Door thickness required - 35mm to 50mm with the standard screw fixing pack provided
- Fits standard cam euro profile cylinder
- Single throw projection deadbolt - 15mm
- Suitable for hinged aluminium and metal doors
- All mortise lockcases contain suitable strike plates and screws

The range of ASSA ABLOY mortise lockcases consists of various functions to meet the most enhanced security and locking requirements.

Benefits:

- High corrosion resistance
- High durability
- Versatile usage



ASSA ABLOY Narrow Profile Mortise Lockcase - AA5100 Series

**Narrow Profile
Mortise Lockcase
AA5100 Series**

Passage Lockcase

Model no.: AA5101 2085, AA5101 2585, AA5101 3085
AA5101 3585

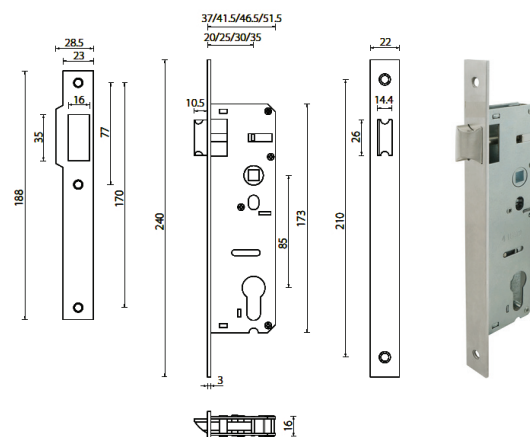
Description: AA5101 ASSA ABLOY Narrow profile mortise lockcase
C to C: 85mm

Finish: SSS - Satin Stainless Steel

Outside: Opened by handle at all times

Inside: Opened by handle at all times

Model no.	Backset
AA5101 2085	20mm
AA5101 2585	25mm
AA5101 3085	30mm
AA5101 3585	35mm



**Narrow Profile
Mortise Lockcase
AA5100 Series**

Entrance Lockcase

Model no.: AA5103 2085, AA5103 2585, AA5103 3085
AA5103 3585

Description: AA5103 ASSA ABLOY Narrow profile mortise lockcase
C to C: 85mm

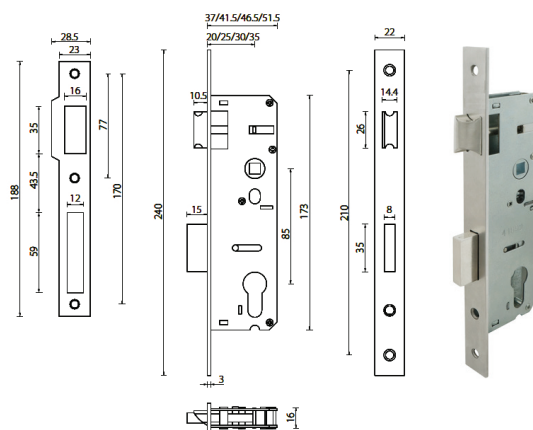
Finish: SSS - Satin Stainless Steel

Outside: Opened by handle when unlocked.

Lever withdraws latchbolt. Key locks or unlocks bolt, key withdraws latchbolt.

Inside: Opened by handle when unlocked. Lever handle at one side withdraws latchbolt. Key or turn locks to unlocks the bolt, key or turn locks to withdraw latchbolt.

Model no.	Backset
AA5103 2085	20mm
AA5103 2585	25mm
AA5103 3085	30mm
AA5103 3585	35mm



ASSA ABLOY Narrow Profile Mortise Lockcase - AA5100 Series

Narrow Profile
Mortise Lockcase
AA5100 Series

Deadlock Lockcase

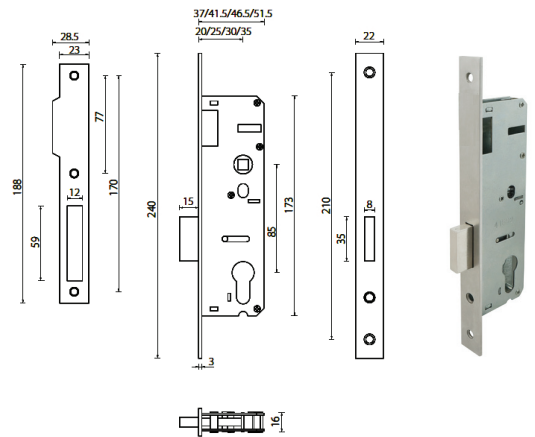
Model no.: AA5104 2085, AA5104 2585, AA5104 3085
AA5104 3585

Description: AA5104 ASSA ABLOY Narrow profile mortise lockcase
C to C: 85mm

Finish: SSS - Satin Stainless Steel

Outside: Bolt is locked or unlocked by key or turn.

Inside: Bolt is locked or unlocked by key or turn.



Model no.	Backset
AA5104 2085	20mm
AA5104 2585	25mm
AA5104 3085	30mm
AA5104 3585	35mm

Narrow Profile
Mortise Lockcase
AA5100 Series

Roller Bolt Entrance
Lockcase

Model no.: AA510R 2085, AA510R 2585, AA510R 3085
AA510R 3585

Description: AA510R ASSA ABLOY Narrow profile mortise lockcase
C to C: 85mm

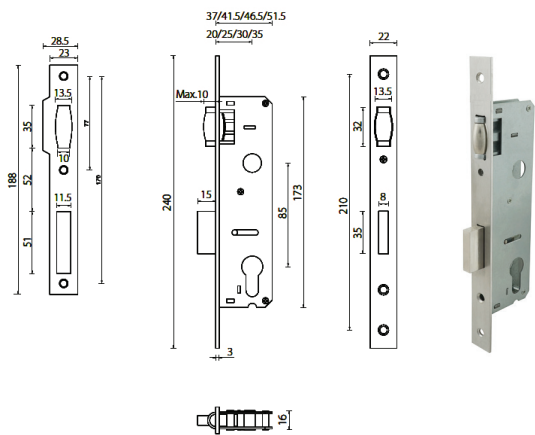
Finish: SSS - Satin Stainless Steel

Outside: Bolt is locked or unlocked by key or turn.

Inside: Bolt is locked or unlocked by key or turn.

*Roller bolt can always open the door from inside and outside when door is unlocked, roller bolt is not operated by handle.

Note: Optional double door strike can be provided



Model no.	Backset
AA510R 2085	20mm
AA510R 2585	25mm
AA510R 3085	30mm
AA510R 3585	35mm

Code example

AA5103 2085

- CTC: 85mm
- Backset: 20mm, 25mm, 30mm or 35mm
- **Function Code**
 - Passage Latch - 1
 - Entrance Lockcase - 3
 - Deadlock Lockcase - 4
 - Roller bolt entrance Lockcase - R

Narrow Profile
Mortise Lockcase

AA5100 Series

Sliding Door Lockcase

ASSA ABLOY

Sliding Door Lock

ASLD-02
ASLD-03

Model no.: ASLD-02

Description: ASLD-02 ASSA ABLOY Euro mortise
Sliding Door Lockcase
For lock with spindle follower please order ASLD - 03

Dimensions: 167 mm x 21 mm x 66 mm

Finish: Satin Stainless Steel

